

HIT-BX1 HIT-BX2

Healthcare Box PC with Intel® Atom™ D2550 / Core™ i3 & i7 Processor



Features

- Specialized design focuses on both IT and healthcare application
- Compact design achieves balance between Intel Core i3, i7, and Atom-based dual core fan-less
- Heat sink is well protected to meet the allowable skin temperature regulated by EN60601-1
- Isolated I/O for COM ports
- Easy to clean exterior body enclosure with IPX1 protection standard
- Dedicated mounting kit can be compatible with all LED TV mounting bracket
- ITE & Medical dual certifications (EN-60950 & EN-60601-1)



Introduction

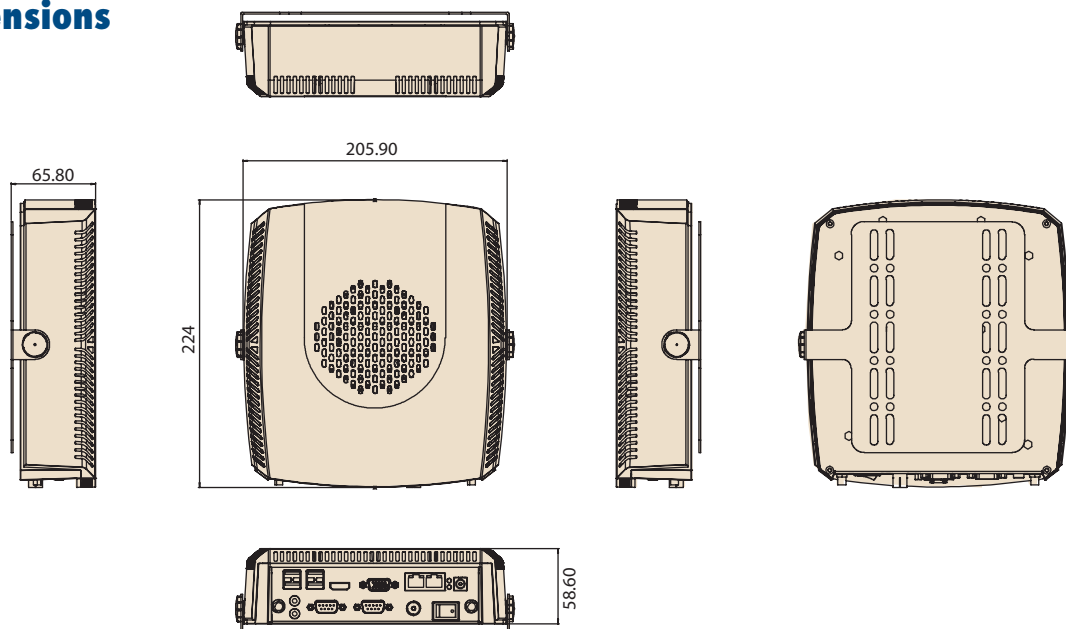
HIT-BX1/BX2 is a IT/Medical hybrid computer box, featuring a 58mm thin body enclosure and rich IOs, including USB 2.0/3.0, DisplayPort/HDMI v1.3, D-Sub, Audio In/Out, Isolated COM and LAN. These IOs can let the hospital to effortlessly and economically establish the IT infrastructure by leveraging from their current existing displays/devices. Built in WiFi, Bluetooth provides external input devices to remote access to the system with just a finger tip. HIT-BX1/BX2 is a member of Advantech's HIT family of infotainment terminals. The performance is amazing to provide patients with various entertainment programs such as TV, movies or computer games, running an intuitive Microsoft Windows interface on an Intel Cedar Trail/ Ivy Bridge Dual Core processor.

Specifications

Processor System	CPU	Intel Atom Dual Core D2550 - 1.86 GHz Intel Ivy Bridge Core i3 3217UE - 1.6 GHz Intel Ivy Bridge Core i7 3517UE - 1.7 GHz
	Last Level Cache	1MB (D2550) / 3M (Core i3) / 4M (Core i7)
	System Chipset	Intel Atom D2550 + NM10 Intel Core i3 3217UE + Panther Point QM77 Intel Core i7 3517UE + Panther Point QM77
Memory	Technology	DDR3 1066 MHz (D2550) / DDR3 1600 MHz (Core i3/i7)
	Max. Capacity	4 GB (D2550) / 8 GB (Core i3/i7)
	Socket	1 x 204-pin SODIMM
Display	Graphic Engine	Direct X & OpenGL support Hardware Decode/Acceleration
	VGA	Up to 1920 x 1200
	HDMI	Supports HDMI v1.3 Up to 1080p
Communication	LAN	Intel 82583V 10/100/1000Mbps
	WLAN	802.11 a/b/g/n with Intel WiDi Technology (Optional)
	Bluetooth	x1 (Optional)
Audio	Chipset	Realtek ALC892, High Definition Audio (HD), Line-in, Line out, Mic-in
Entertainment	TV Tuner	DVB/T/ATSC (Optional)
Storage	mSATA	x1 (Core i3/i7 Only) (Optional)
	SATA II	x1
Rear I/O	Ethernet	x2
	COM	x2 (Isolation by Option)
	VGA	x1
	HDMI	x1
	USB 2.0	x4 (D2550) / x2 (Core i3/i7)
	USB 3.0	x2 (Core i3/i7 Only)
	DC Jack	x1
	TV Tuner SMA Jack	x1
	WiFi Antenna Jack	x2
	Line/Mic In	x1
	Line/Headphone Out	x1
	Power Switch	x1
	LED	Power, HDD
Expansion	Full-size MiniPCIe	x1 (D2550) x2 (Core i3/i7), 1 slot supports mSATA via BIOS Selection
	Software	Operating System
Power	AC/DC Power	
	Input Voltage	ITE: 100 ~ 240 V _{AC} , 1.5 A, 50 ~ 60 Hz Medical: 100 ~ 240 V _{AC} , 1.35 A, 47 ~ 63 Hz
	Output Voltage	ITE: 12 V, 3.0 A ; Medical: 12 V, 3.75 A
	Power Management	ACPI
	RTC Battery	Lithium 3 V / 210 mAH

Dimensions

Unit: mm



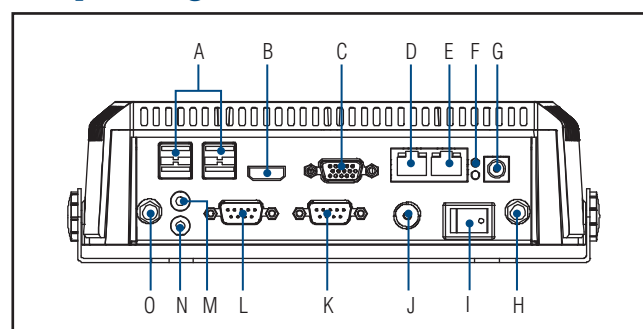
Specifications Cont.

Physical Characteristics	Dimensions (D x W x H)	224 x 205.9 x 58.6 mm
	Weight	2.7 kg
	Mounting	Compatible with TV mounting kits
Environment	Operating Temperature	0 ~ 40° C
	IP Rating	IPX1 All around
	Vibration	1G
	Shock	50G
	Certification	CE,FCC,CCC,CB, ITE UL, EN60950 & EN 60601-1 Approved

Ordering Information

Part No.	Description
HIT-BX1-AT11E	Atom D2550, STD, 2G RAM, 250GB HDD, WiFi, ITE Adapter, WES7E
HIT-BX1-ATM1E	Atom D2550, STD, 2G RAM, 250GB HDD, WiFi, Medical Adapter, WES7E
HIT-BX2-IC11E	Core i3 3217UE, STD, 2G RAM, 250GB HDD, WiFi, ITE Adapter, WES7E
HIT-BX2-ICM1E	Core i3 3217UE, STD, 2G RAM, 250GB HDD, WiFi, Medical Adapter, WES7E
HIT-BX2-IG11E	Core i7 3517UE, STD, 2G RAM, 250GB HDD, WiFi, ITE Adapter, WES7E
HIT-BX2-IGM1E	Core i7 3517UE, STD, 2G RAM, 250GB HDD, WiFi, Medical Adapter, WES7E

Fully- Integrated I/O



- A. USB
- B. HDMI (HDMI/DisplayPort for HIT-BX2)
- C. D-Sub
- D. LAN-1
- E. LAN-2
- F. PWR/HDD LED
- G. DC-IN
- H. WiFi Antenna Jack (Aux)
- I. Power Switch
- J. TV Tunner SMA Jack
- K. COM-2
- L. COM-1
- M. Line In
- N. Line Out
- O. WiFi Antenna Jack (Main)